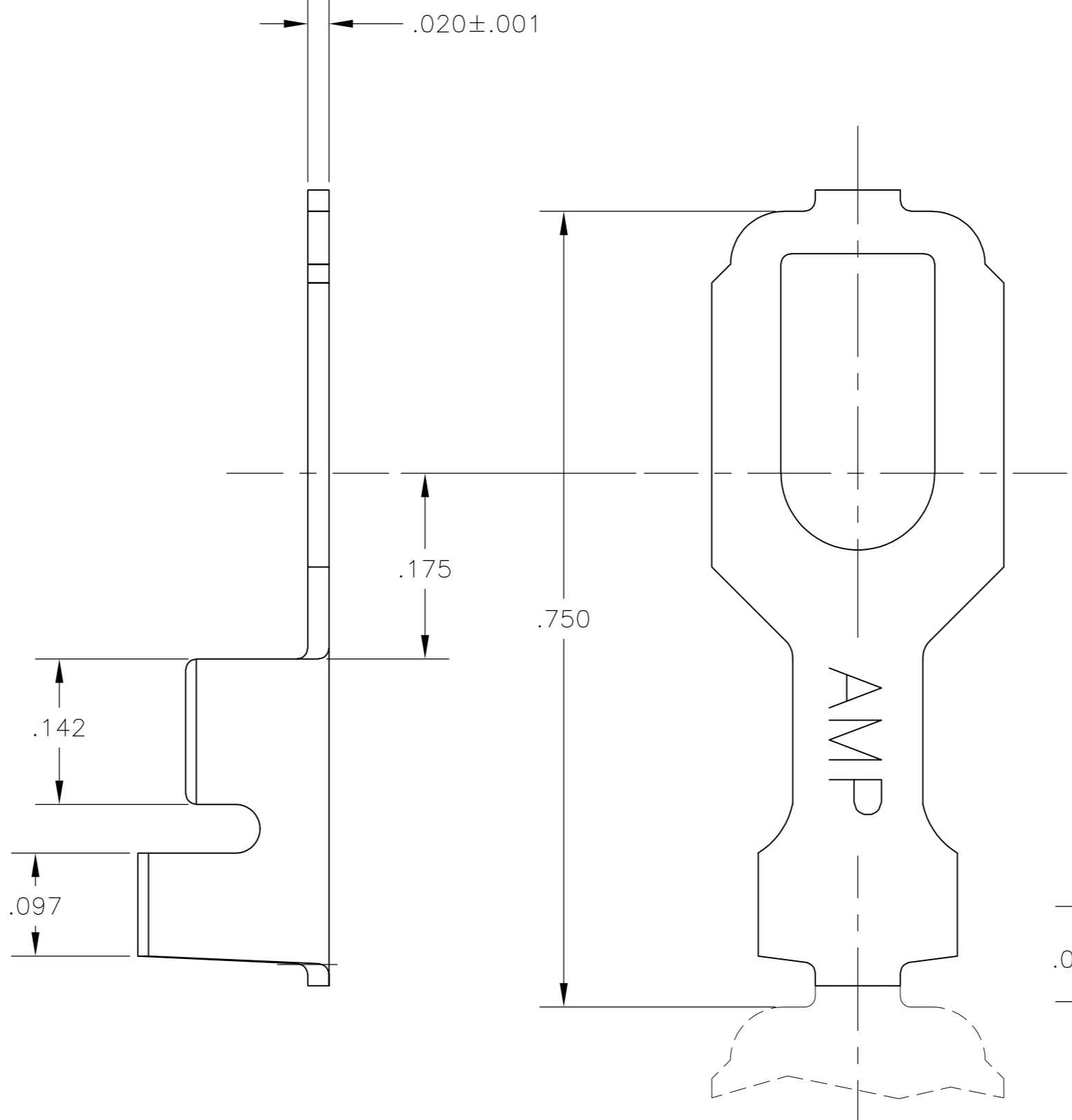
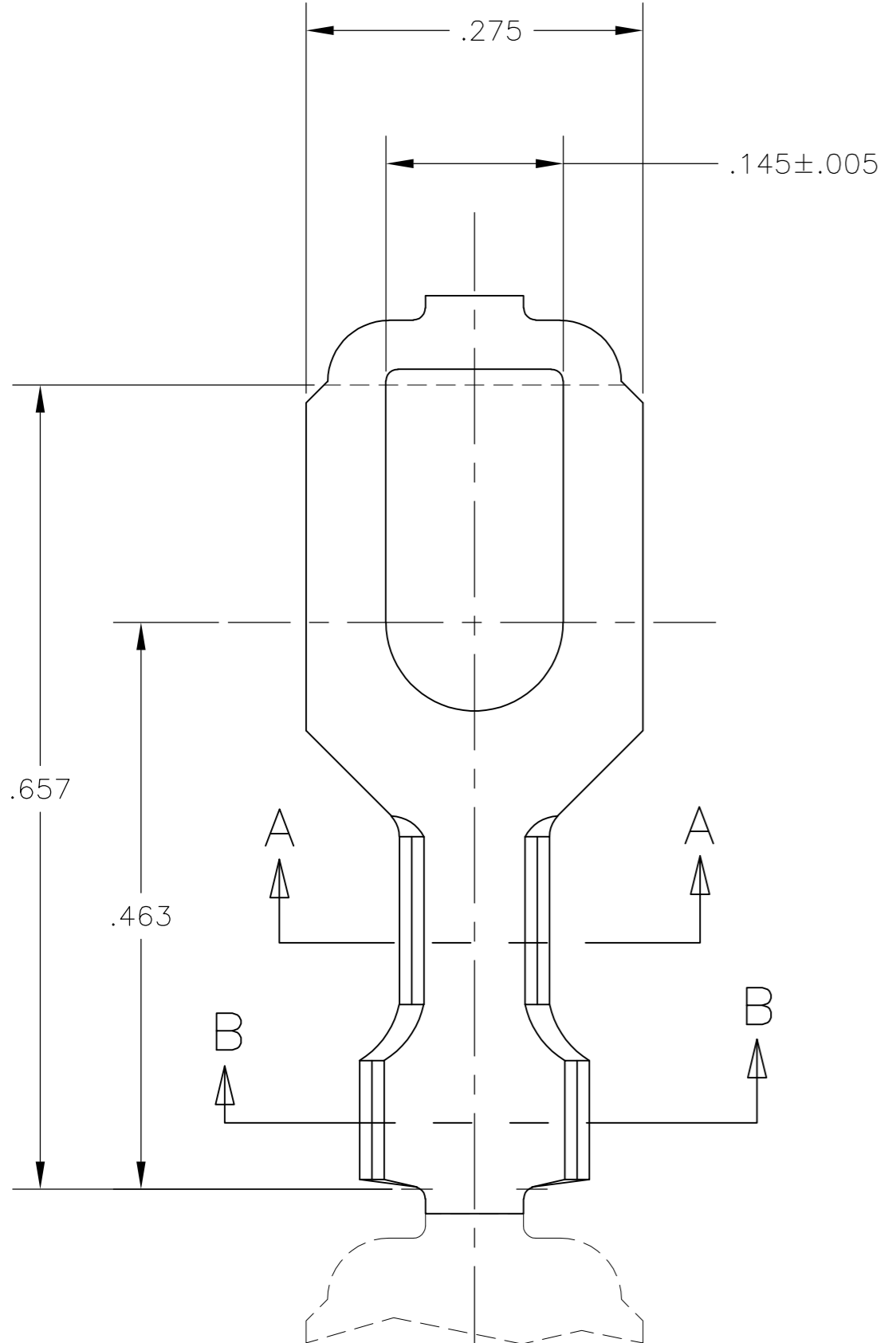
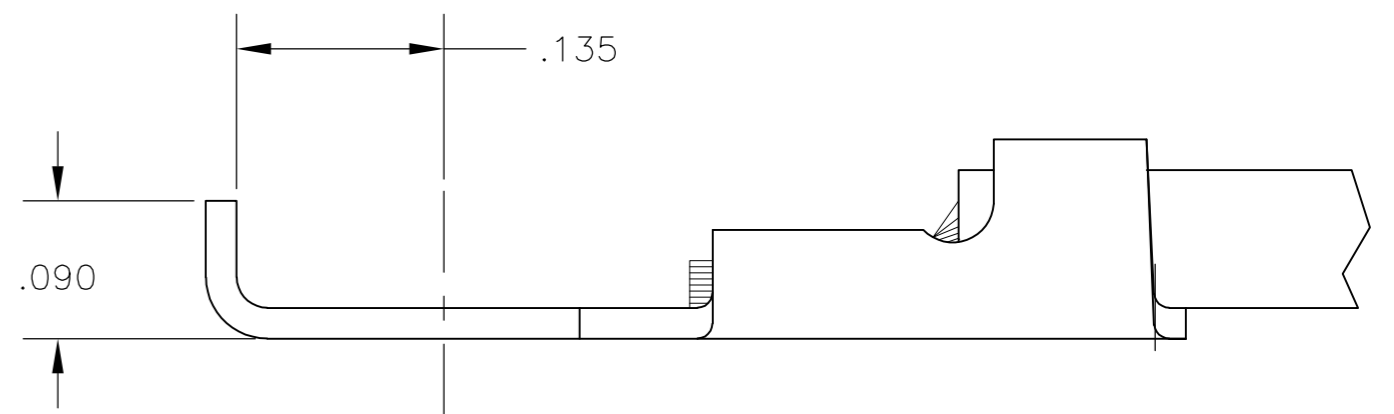


THIS DRAWING IS UNPUBLISHED. RELEASED FOR PUBLICATION
 © COPYRIGHT BY TYCO ELECTRONICS CORPORATION. ALL RIGHTS RESERVED.

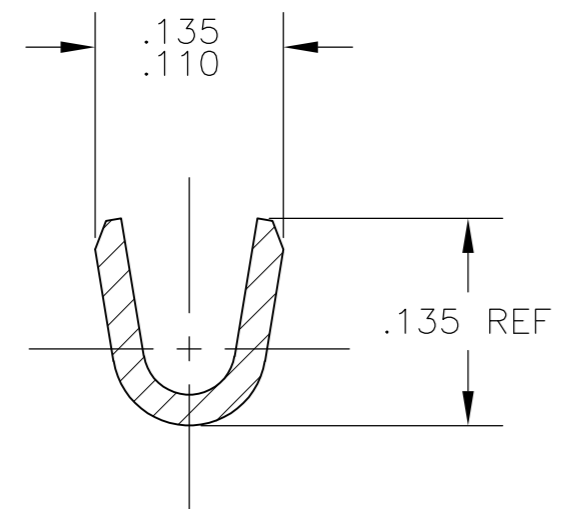
| LOC | DIST | REVISIONS | | | |
|-----|------|-------------|---------------------------|---------|--------|
| P | LTR | DESCRIPTION | DATE | DWN | APVD |
| AF | 50 | C | REVISED PER ECR-10-006099 | 07JUL10 | HMR PD |



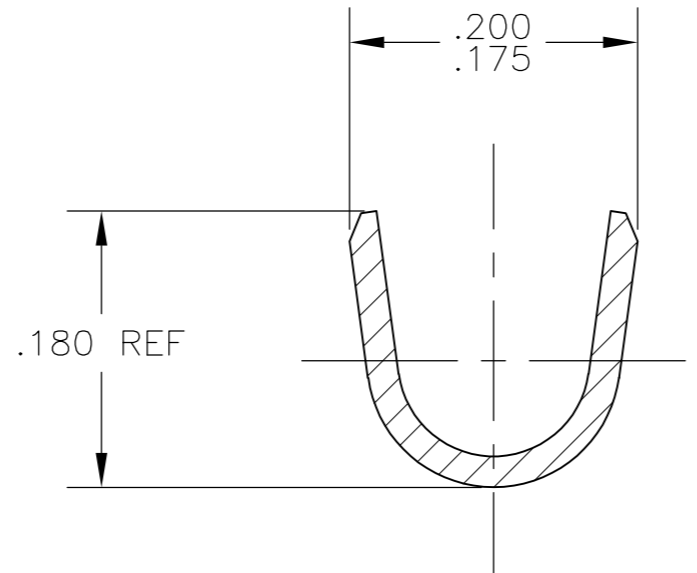
- 1 CONTINUOUS STRIP ON REELS.
- 2 WIRE SIZE: #20-#16 AWG.
- 3 INSULATION RANGE: .090-.130 DIA.
- ⚠ SUFFIX LETTER MUST BE USED ONLY WHEN ORDERING APPLICATOR TOOLING.



FLANGED IN APPLICATOR ⚠



SECTION A-A



SECTION B-B

| | | | | |
|---|---------------|---------------------------------------|---|-----------------------|
| THIS DRAWING IS A CONTROLLED DOCUMENT. | | DWN MICHAEL S. FEHER 20DEC2004 | Tyco Electronics Corporation Harrisburg, Pa 17105-3608 | |
| DIMENSIONS: INCHES | | CHK DONALD F. DECKER 04JAN2005 | NAME TERMINAL, SPADE 6 STUD SIZE | |
| TOLERANCES UNLESS OTHERWISE SPECIFIED: 0 PLC ± - 1 PLC ± - 2 PLC ± - 3 PLC ± .010 4 PLC ± - ANGLES ± 1° | | APVD DONALD F. DECKER 04JAN2005 | SIZE A2 | RESTRICTED TO - |
| MATERIAL 082 BRASS | FINISH TIN | APPLICATION SPEC - | CAGE CODE 00779 | DRAWING NO C=40763 |
| CUSTOMER DRAWING | | WEIGHT - | SCALE 8:1 | SHEET 1 OF 1 |

40763